

MAXIWASH



HE SERIES - WASHER EXTRACTOR
20 to 80 Pounds Capacity

HE

Series - HARDMOUNT

The HE series - Hardmount Medium Speed Economy Washer- Extractors for General Laundry Applications

Outstanding Reliability and Efficiency at a Price you can afford

Powerful, efficient, and affordable. These are the design keys for the economy series of Hardmount washer-extractors. Our simple innovative features and robust design ensure low cost of ownership and infrequent maintenance. Simple design and fewer parts are the guarantee. Our combined engineering expertise in the industry assures that you will receive the best for less and products that will meet today's and tomorrow's need in the laundry industry. We know you don't have time to deal with breakdowns.



Simple Microprocessor Control

The reliable B-Computer provides the capacity to store and execute 30 wash programs, and is simple to operate and program. Four chemical signals are provided for control of external liquid supplies. It controls water inlets, drain, wash speeds, temperature, water levels and all the functions to reach an optimum wash result at the lowest possible cost.



Large Door Opening and Safe Door Interlock

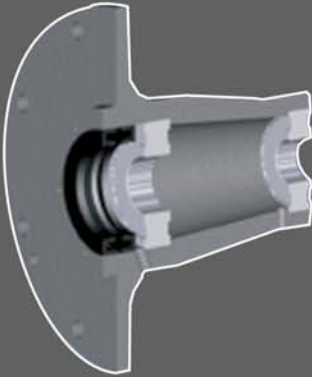
Loading and unloading are fast and easy through the oversized door that opens 180 degrees. The door is located at a convenient height and is constructed of stainless steel and built with an oversize stainless steel hinge for extra strength and durability. The silicon door gasket is designed for long life and seals to the shell every time without leaking. A powerful and safe electro-mechanical door interlocking system is provided for safe and easy operation.

Supply Dispenser

A 3 or 4 compartment dispenser is standard. It is mounted in the front of the machine at a convenient height for easy reach and flushes automatically. The location of the dispenser allows machines to be placed next to each other. As standard the HE model machines are provided with four supply signals and four connections for external liquid supply.



Medium Speed Economy Washer - Extractors



Solid Bearing Housing with High Quality Bearings and Seals

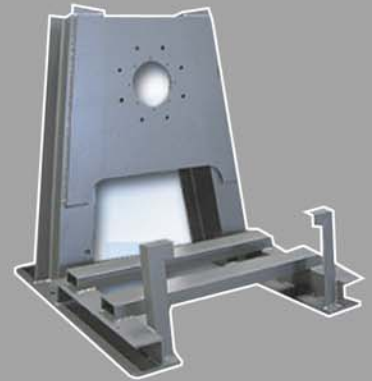
Rugged cast iron construction is used in our durable bearing housing. The shaft is constructed of high strength steel. Oversized permanently lubricated ball bearings are service free and designed for extended life. Double lip seals and a face seal protect the bearings. A large leak off area is provided, which yields long bearing life.

Robust Energy Efficient Drive

The machine is provided with a single totally enclosed standard motor that is controlled electronically by a variable frequency drive. This makes the machine control simple and very flexible. The inverter reduces the peak energy demand, saving energy and lowers the inrush current. It is also a watchdog for the motor, protecting against overload and over voltage. The single motor drive and inverter eliminate clutches, gear reducers, idlers, plus reduces the use of electromechanical components such as contactors and relays. It provides a powerful yet simple drive alternative that is more economical than multi motor drives. The inverter makes it possible to achieve high extract speeds that achieve significant energy and time saving in the drying process.

Solid Mount Construction

Amazing strength and fewer parts give the HE series extra long life, without needless breakdowns. The frame is engineered, computer analyzed, and tested for a lifetime rigorous operation. It has a protective powder coating to reduce possible corrosion and prolong the life.



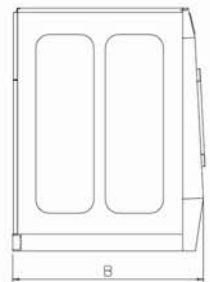
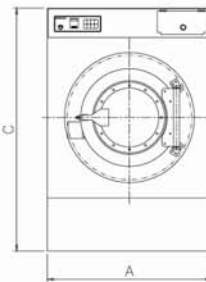
MAXIWASH

Specifications

MODEL	Units		HE-20	HE-30	HE-40	HE-60	HE-80
	Metric	US					
CAPACITY:							
Loading factor	1:10	kg lbs	9.7 21	12.8 28.2	19.2 42.2	27.4 60	38.5 84.7
	1:12	kg lbs	8.0 17.6	10.7 23.5	16 35.2	22.8 50.2	32.1 70.6
	1:13	kg lbs	7.3 16.2	9.8 21.5	14.8 32.6	21.1 46.4	29.6 65.1
OVERALL DIMENSIONS:							
A - Width		mm in	735 28.9	724 28.5	785 30.9	880 34.6	1150 45.3
B - Depth		mm in	1181 46.5	965 38	1120 44.1	1194 47	1255 49.4
C - Height		mm in	786 30.9	1143 45	1315 51.8	1555 61.2	1720 67.7
WEIGHT AND SHIPPING INFORMATION:							
Net Weight		kg lbs	240 529	235 517	480 1055	660 1450	785 1728
Domestic shipping weight		kg lbs	254 560	246 543	492 1083	720 1584	803 1767
CYLINDER INFORMATION:							
Diameter		mm in	612 24.1	612 24.1	683 26.9	790 31.1	924 36.4
Depth		mm in	325 12.8	435 17.13	525 20.7	560 22	574 22.6
Volume		liters cu ft	96 3.4	128 4.52	192 6.8	274 9.7	385 13.6
Perforation size		mm in	4.8 0.188	4.8 0.188	4.8 0.188	4.8 0.188	4.8 0.188
Perforation open area		%	15	17	19	23	24
CYLINDER SPEEDS:							
Wash		rpm g	48.5 0.8	48.5 0.8	46 0.8	43 0.8	39.5 0.8
Distribution		rpm g	76.5 2	77 2	73 2	67 2	62 2
Extract		rpm g	484 80	664 150	628 150	583 150	542 150
DOOR OPENING AND HEIGHT:							
Diameter		mm in	365 14.4	400 15.7	400 15.7	450 17.7	520 20.5
Height of door bottom above floor		mm in	450 18	355 14	475 18.7	569 22.4	616 24.25
DRIVE INFORMATION:							
Number of motors		Number	1	1	1	1	1
Size of motor		kW Hp	0.75 1	1.5 2	2.2 3	3.7 5	5.5 7.5
WATER INLETS							
Hot water size		DN in	20 3/4	20 3/4	20 3/4	20 3/4	20 3/4
Cold water size		DN in	20 3/4	20 3/4	20 3/4	20 3/4	20 3/4
Additional water Inlet		DN in	20 3/4	20 3/4	20 3/4	20 3/4	20 3/4
Average HOT water consumption/ cycle		liters gal	91 24	91 24	193 51	223 59	371 98
Average COLD water consumption/cycle		liters gal	174 46	174 46	102 27	106 28	174 46
DRAIN OUTLETS AND CAPACITY:							
Number of drains		Number	1	1	1	1	1
Drain size		mm in	51 2	51 2	76.2 3	76.2 3	76.2 3
Drain capacity		liter/min	113 30	113 30	159 42	246 65	473 125
STEAM INLET and CONSUMPTION:							
Steam inlet size		DN in	13 1/2	13 1/2	13 1/2	13 1/2	20 3/4
Required steam to heat bath 10F (5.55C)LOW		kg lbs	0.5 1	0.5 1	5.3 2.4	8.4 3.8	14 6.4
Required steam to heat bath 10F (5.55C)HIGH		kg lbs	0.6 1.5	0.6 1.5	6.6 3	9.2 4.2	16 7.3
Average Steam consumption per cycle		KW BHP	7 0.7	7 0.7	15 1.5	22 2.2	35 3.6
ELECTRICAL SERVICE:							
208-240VAC, 50/60Hz, 1PH		Amps Breaker	6.2 15	6.2 15	8.1 15	8.8 15	22 25
208-240VAC, 50/60Hz, 3PH		Amps Breaker	3.6 15	3.6 15	4.7 15	5.1 15	12.7 15
380-480VAC, 50/60Hz, 3PH		Amps Breaker	1.8 15	1.8 15	2.3 15	2.5 15	6.3 15

Standard Features :

- All wetted parts are 304 (18/8) stainless steel
- 3 or 4 compartment supply dispensers
- 30-cycle microprocessor
- 150G extraction force
- 5 degree lean back for strength and easier loading
- Built in vacuum breaker
- Variable speed frequency inverter
- Stainless steel cabinet



Due to our policy of ongoing improvements, all specifications are subject to change without notice.
Additional options : Consult factory or distributor.

MAXI
COMPANIES
Lean Mean Laundry Machines

4317 E. Genesee Street Suite 100 DeWitt, New York 13214 USA
Phone: 315 446-2180 Fax: 315 446-2431
E-mail: sales@maxico.com
www.maxico.com